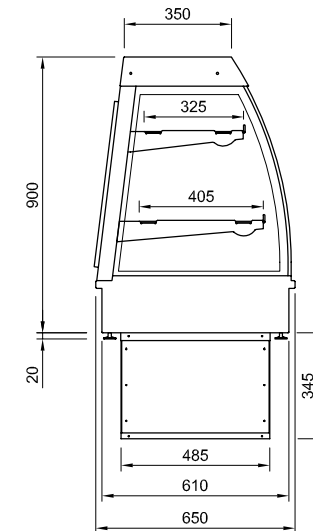
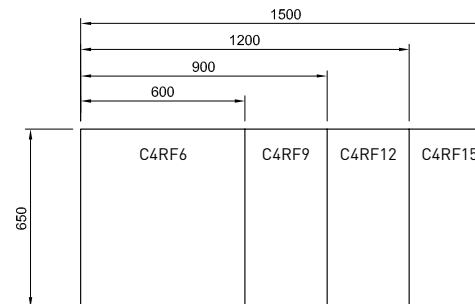


C4RF REFRIGERATED

COUNTER SERIES

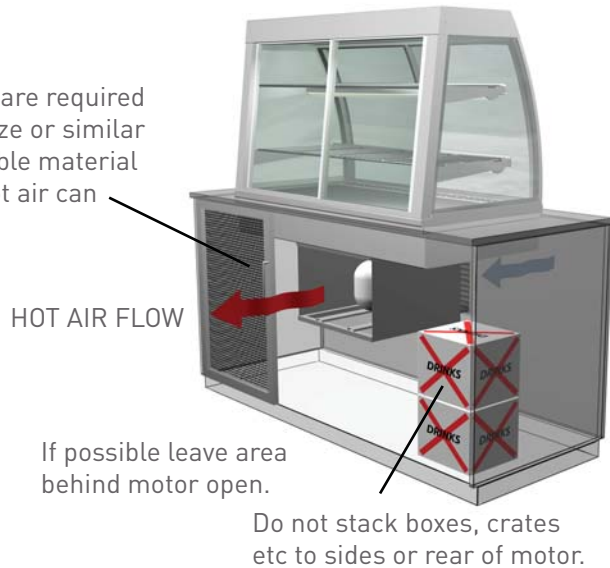


Sliding doors front and rear
 Deck forced refrigeration
 Double glazed glass
 Two adjustable shelves
 Ticket strips on shelves and deck
 Undershelf and canopy lights
 Integral condenser
 Available in four lengths

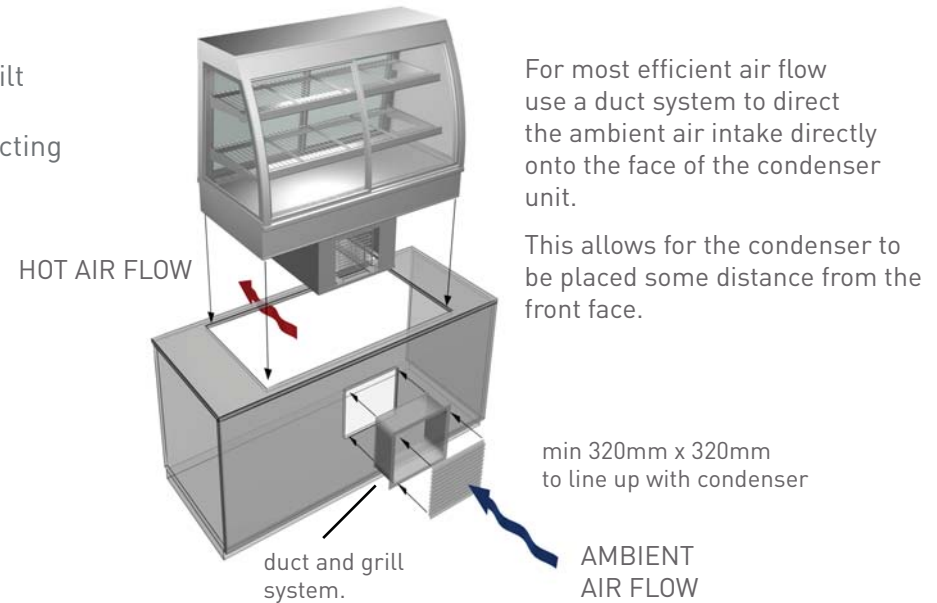


C4RF REFRIGERATED VENTILATION REQUIREMENTS COUNTER SERIES

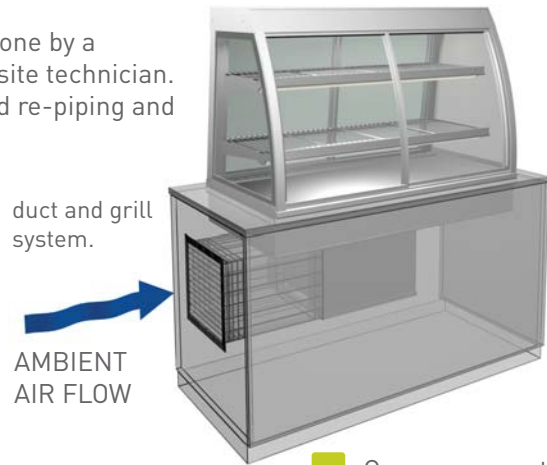
If doors are required use gauze or similar breathable material so as hot air can escape.



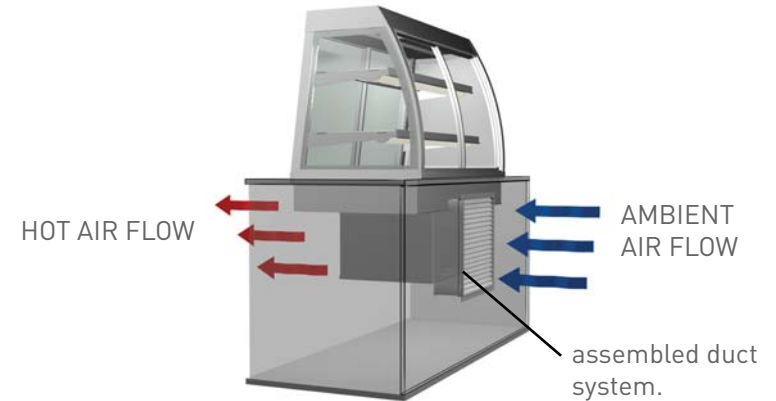
* Ducted ventilation system built and supplied by customer. Cossiga do not supply any ducting or ventilation grills.



* Work to be done by a qualified on site technician. unit will need re-piping and re-gassing.



■ Compressor rotated 90deg and ducted from side. open rear.



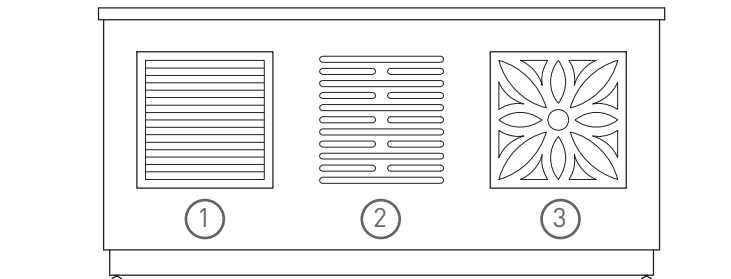
■ Ducted ventilation system for drop in unit



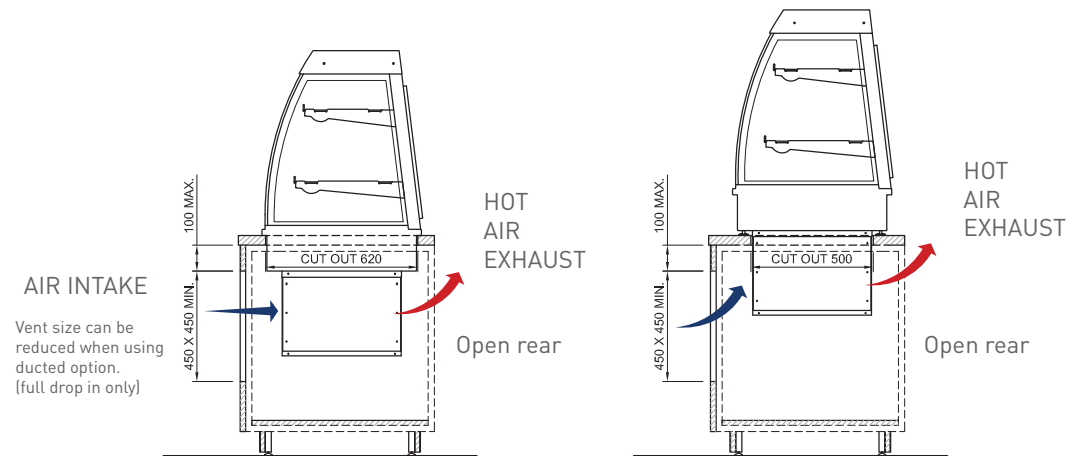
C4RF REFRIGERATED

VENTILATION OPTIONS COUNTER SERIES

FRONT VIEW
Unit open at rear



1. Standard stainless steel , aluminium or painted vent
2. Routed vent into joinery
3. Be creative - design you own vent grill

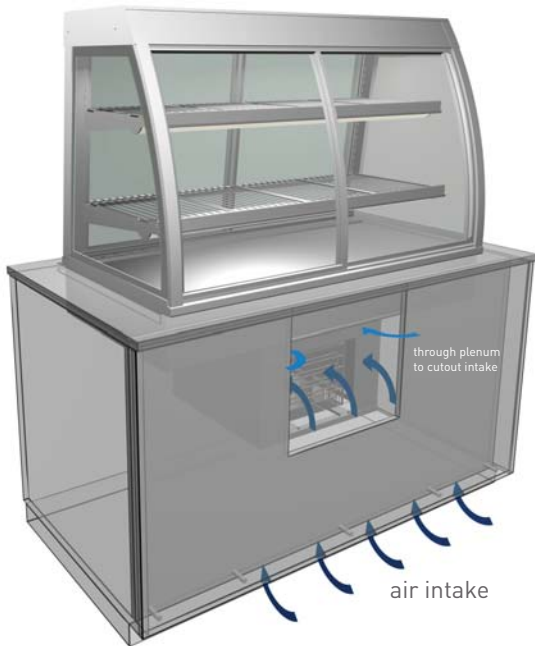


■ Front Grill ventilation

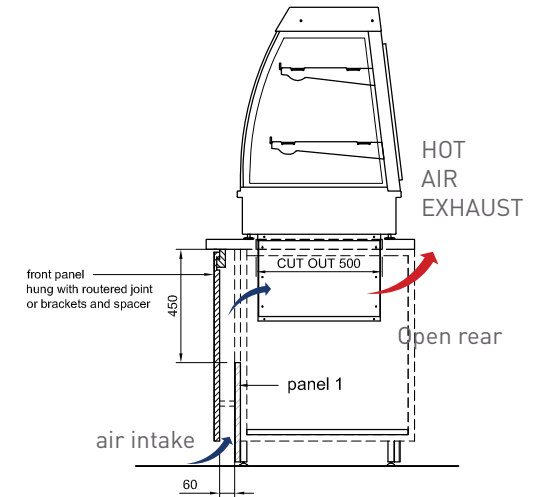
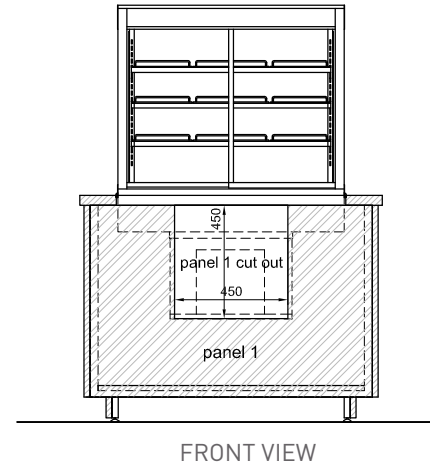
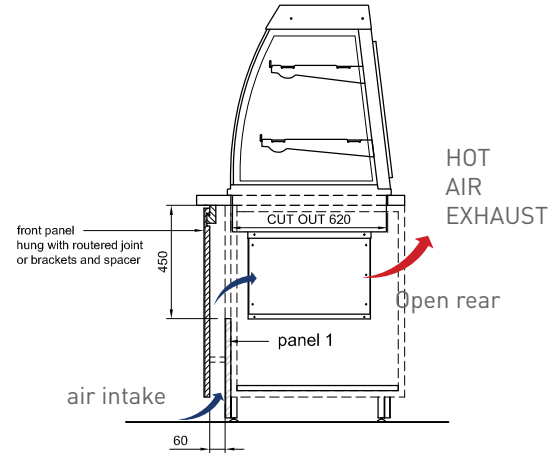
■ Vent in standard joinery carcass

C4RF REFRIGERATED

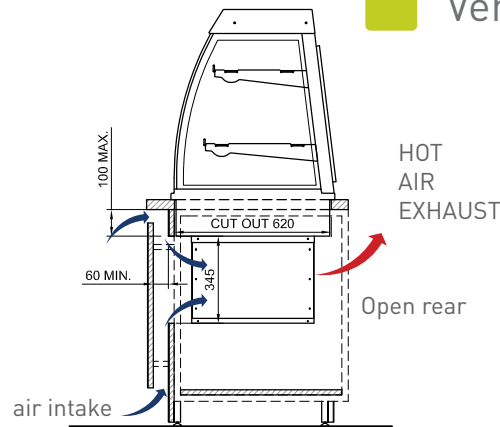
VENTILATION OPTIONS COUNTER SERIES



■ Perspective view



■ Ventilation option with front air plenum bottom open



■ Ventilation option with front air plenum top/bottom open

* Example only. allow minimum cutouts

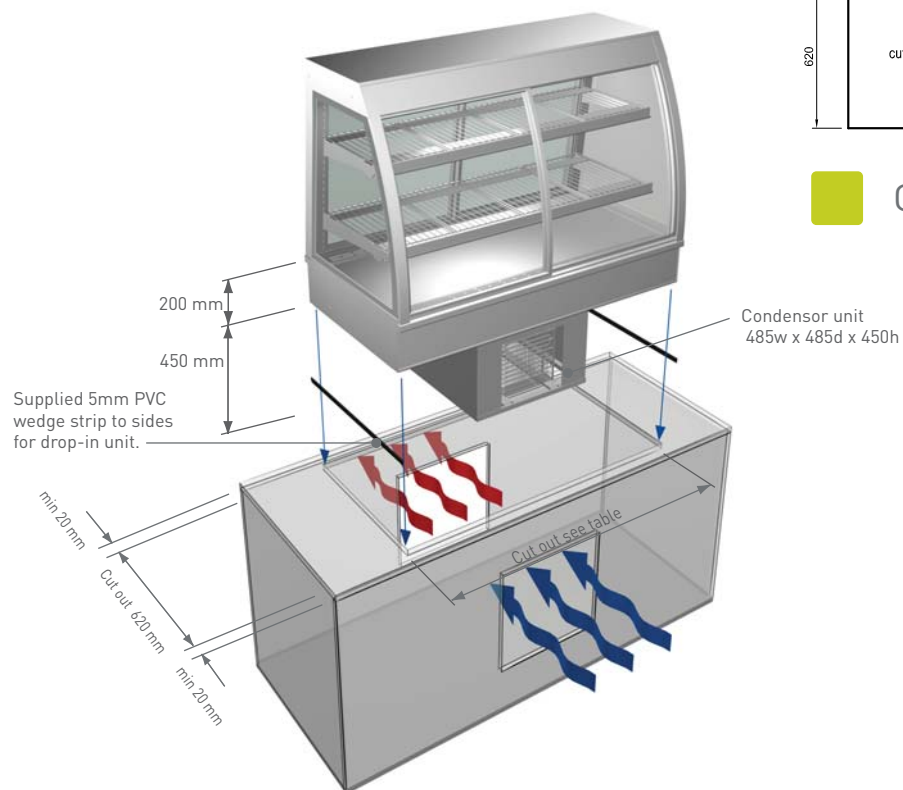
* All cabinet work built and supplied by customer.
Cossiga do not supply any ducting or ventilation grills.

C4RF REFRIGERATED

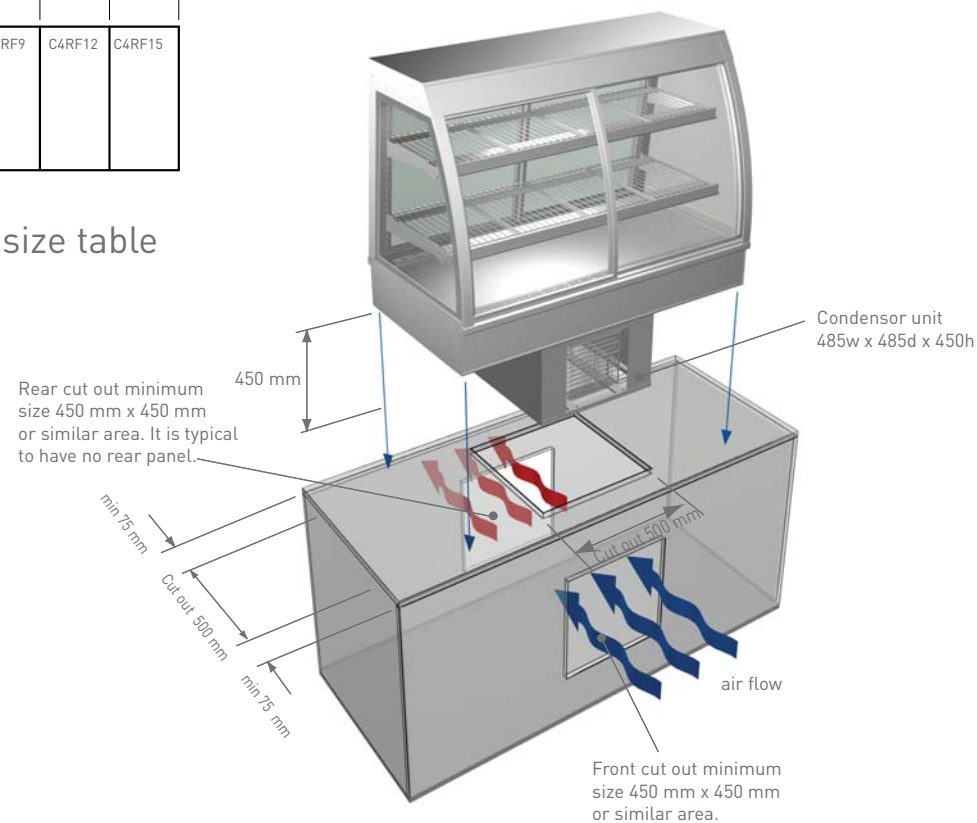
UNIT REQUIREMENTS COUNTER SERIES

1515			
1215			
915			
615			
C4RF6	C4RF9	C4RF12	C4RF15
outout sizes			
620			

■ Cut out size table



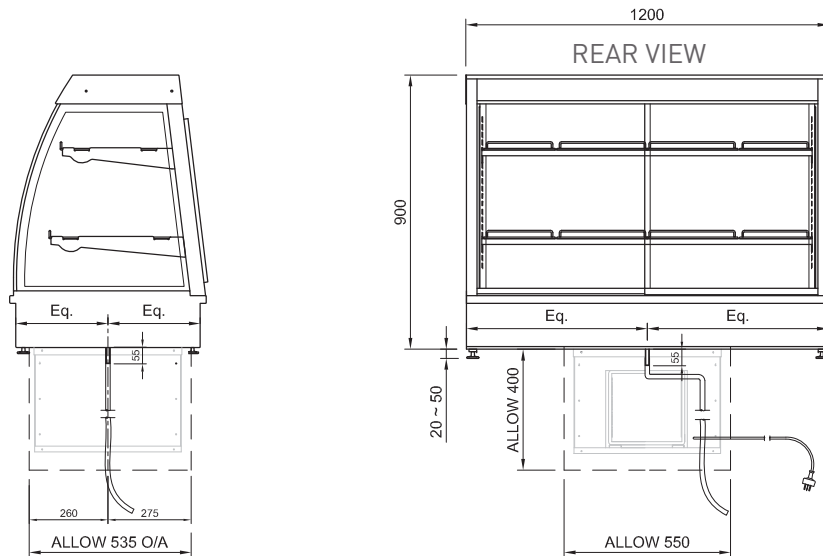
■ Counter C4 Drop In Cut Outs



■ Counter C4 Integral Motor Cut Outs

C4RF REFRIGERATED

COUNTER SERIES SERVICES INFORMATION

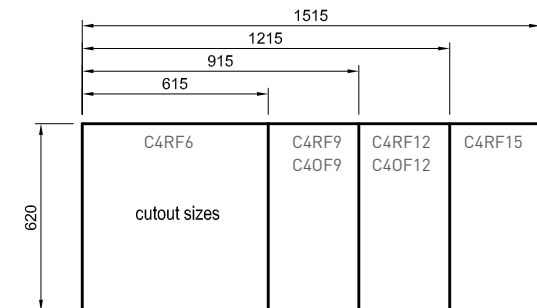


CONDENSATE DRAINAGE

- 55 mm Stainless steel spigot to plastic flexible waste pipe 15mm dia. 1000 mm length
- Drain pipe position central as shown the flexible pipe has clearance over the compressor and can lead out to the left or right.
- See drainage specifications.

ELECTRICAL POWER

- Electrical power cord 1500mm 3 pin 10 amp 1 phase socket required
- Maximum ambient operating conditions 25°C / 60% Relative Humidity

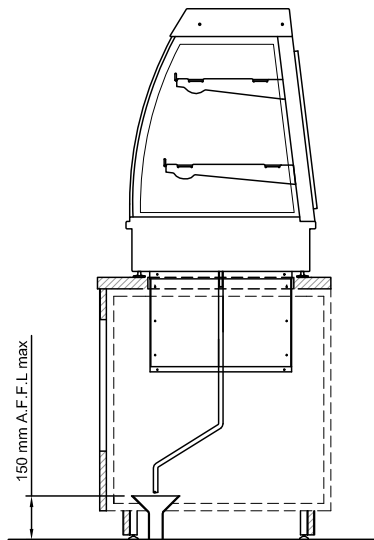


Counter C4 - Refrigerated Unit Services

Counter C4 Drop in Cut Outs.

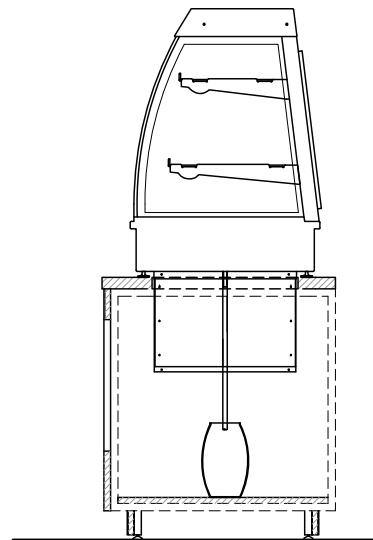
C4RF REFRIGERATED

COUNTER SERIES DRAINAGE SERVICES OPTIONS



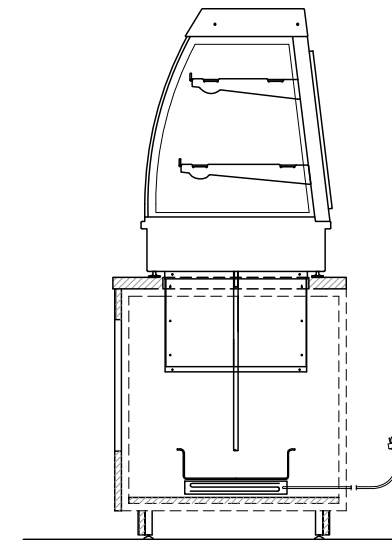
■ PLUMBED TUNDISH DRAINAGE

- Maximum 150 mm above finished floor level
- Drainage to building waste
- Building waste by client



■ FREE STANDING RECIPIENT

- Supplied with all chilled units in range
- Receptacle placed under unit to receive condensate waste
- Dispose of waste water daily



■ ELECTRICAL EVAPORATOR PAN

- (NOT SUPPLIED BY COSSIGA)**
- Proprietary electrical unit to evaporate condensate waste.
 - Will require power source
 - Ensure you understand local environmental ambient and humidity conditions.

■ Drainage Options - Customer Supplied

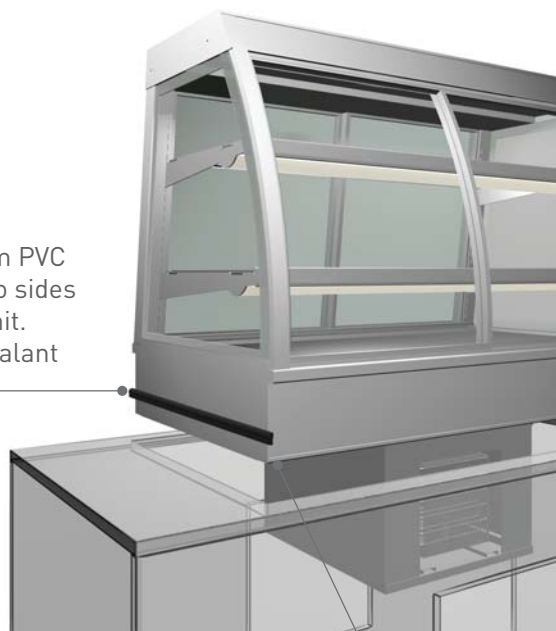
COSSIGA

For further information, contact us on **T** +649 580 8471 **F** +649 580 2514 **E** info@cossiga.com
To download C.A.D. blocks please visit www.cossiga.com

C4

DROP IN UNITS

UNIT REQUIREMENTS COUNTER SERIES



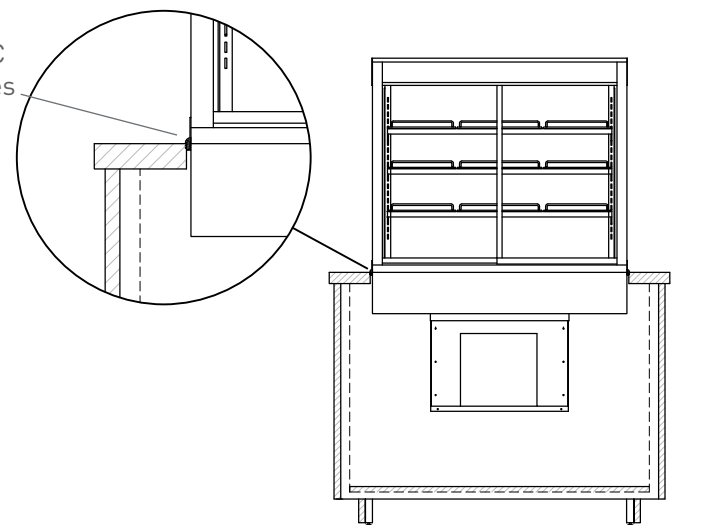
Supplied 5mm PVC wedge strip to sides for drop-in unit. No glue or sealant required.

Remove feet for all drop-in installations.

	1515			
	1215			
	915			
	615			
620	C4RF6	C4RF9 C4OF9	C4RF12 C4OF12	C4RF15
	cutout sizes			

 Cut out size table

Supplied 5mm PVC wedge strip to sides for drop-in unit.

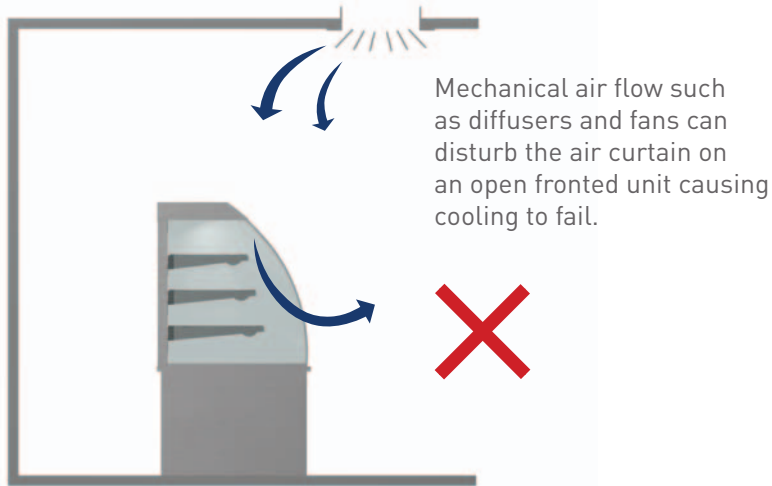


 Counter C4 Drop In Cut Outs

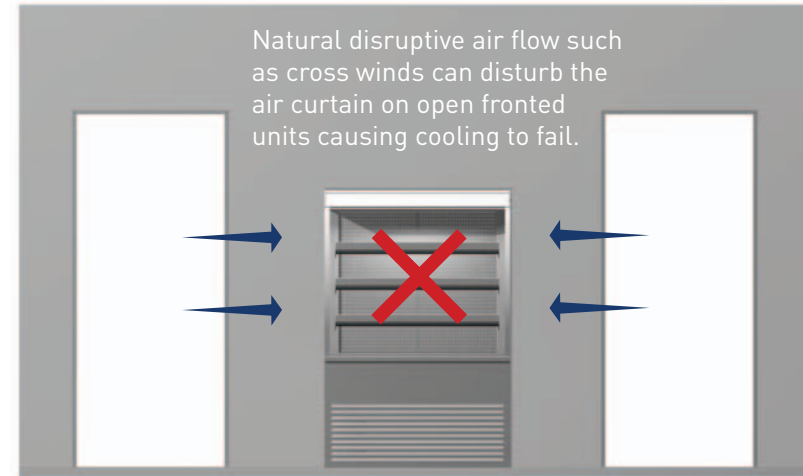
 Counter C4 Drop In Detail

D40F/C40F OPEN FRONTED - REFRIGERATED

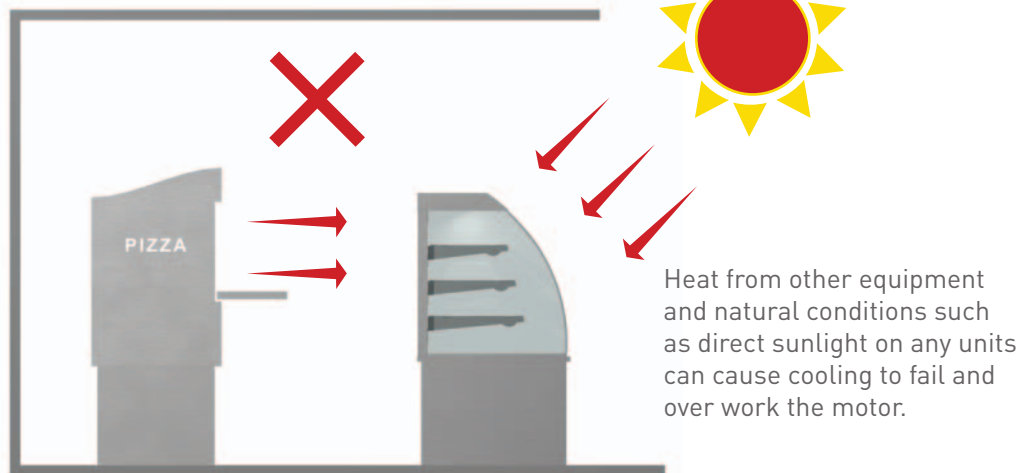
UNIT PLACEMENT CONSIDERATIONS



Avoid Disruptive Air Flow Sources



Avoid Disruptive Air Flow Sources



Avoid Radiant and Convective Heat Sources

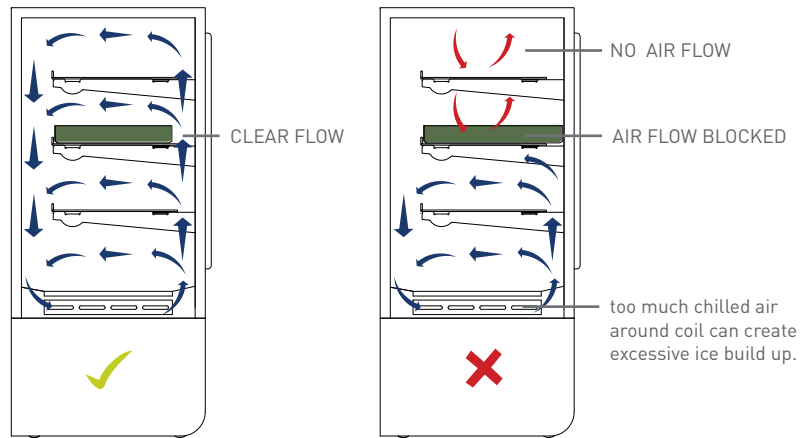
Be aware of potential problems by placing units in adverse ambient conditions. Locations to be avoided are:

- Close to shop front exterior.
- In an outside location.
- In direct sunlight.
- In a high cross wind area.
- Near any source producing excessive heat.

Increase service intervals for units in dusty or polluted areas.

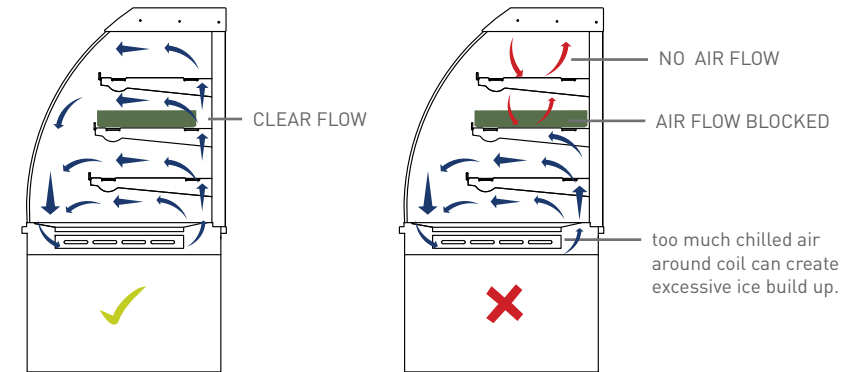
COSSIGA AIR FLOW USAGE GIUDE

USAGE GUIDE LINES



CORRECT AIRFLOW.

INCORRECT AIRFLOW.



CORRECT AIRFLOW.

INCORRECT AIRFLOW.

Internal Air Flow Requirements

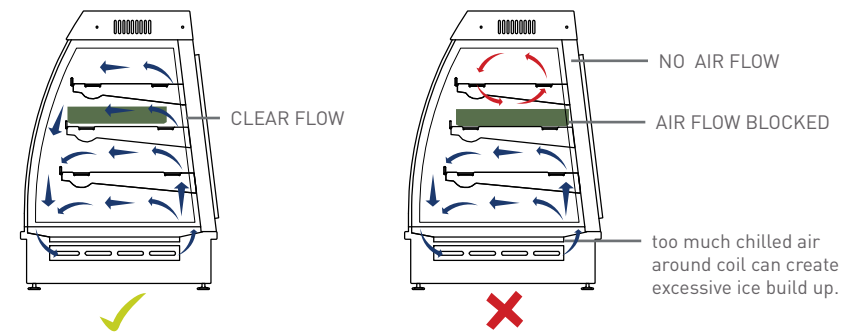
CORRECT AIRFLOW ✓
for both hot and cold units.

Vents are not blocked at base and ensure trays or plates are not blocking airflow at the rear of the unit.

INCORRECT AIRFLOW ✗
for both hot and cold units.

Blocked airflow disturbs correct air movement and creates uneven temperatures inside unit.

Ensure bottom vents are not blocked by plates or product.
Blocked air flow will retard operation on both HOT and COLD unit.



CORRECT AIRFLOW.

INCORRECT AIRFLOW.