

LSRF REFRIGERATED

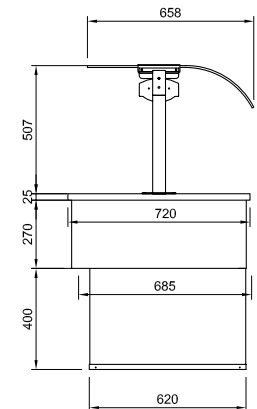
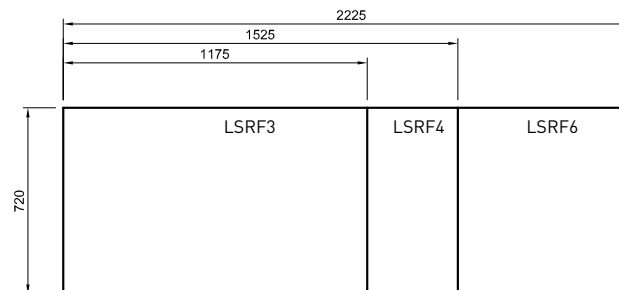
LINEAR SERIES



Curved glass sneezeguard
Deck forced refrigeration
Canopy light
Integral condenser
Available in three lengths

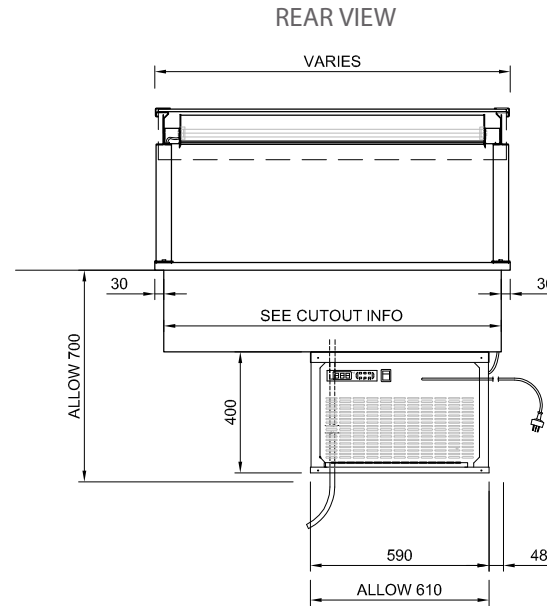
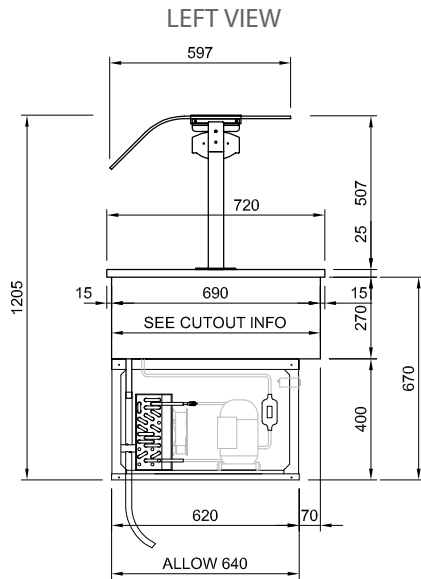
Gantry supplied as a separate component
to be fitted on site.

Ensure when placing order to specify
well & gantry of well only



LSRF REFRIGERATED WELL

SERVICES REQUIREMENTS LINEAR SERIES



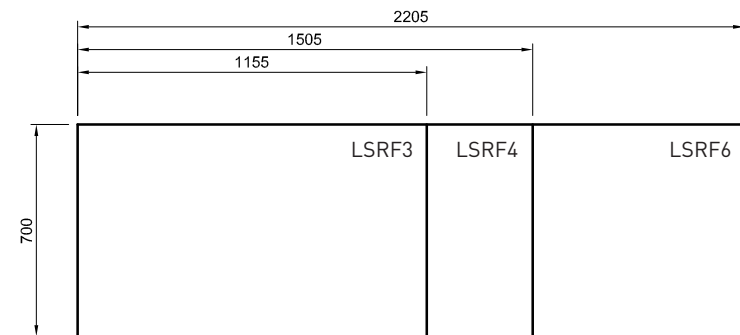
Please select glass type from Linear FSS glass types document

CONDENSATE DRAINAGE

- Drain pipe position as shown
- 55 mm Stainless steel spigit to plastic flexible waste pipe 20mm dia. 1000 mm length
- See drainage specifications.
- Maximum ambient operating conditions
25°C / 60% Relative Humidity

ELECTRICAL POWER

- Electrical power cord 1500mm
- All units 3 pin 13 amp 1 phase
- plug can be removed and unit hard wired on site
- Clean condenser face at two weekly intervals**

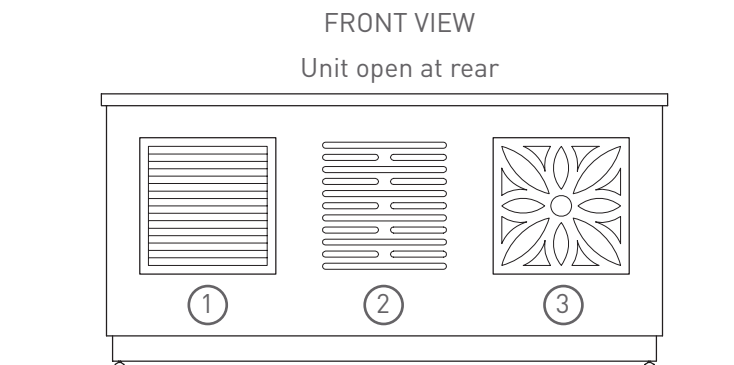


Linear - Refrigerated Unit Services

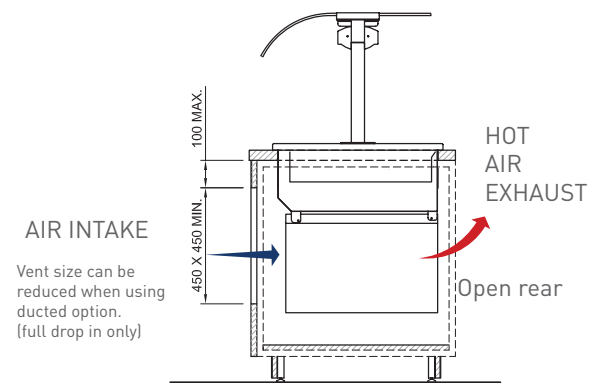
Linear - Drop In Cut Outs

LSRF REFRIGERATED WELL

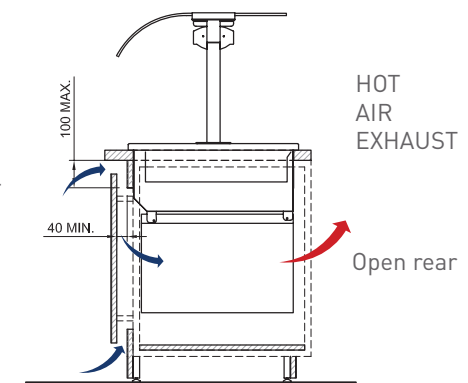
VENTILATION OPTIONS LINEAR SERIES



1. Standard stainless steel, aluminium or painted vent
2. Routed vent into joinery
3. Be creative - design you own vent grill



■ Front Grill ventilation



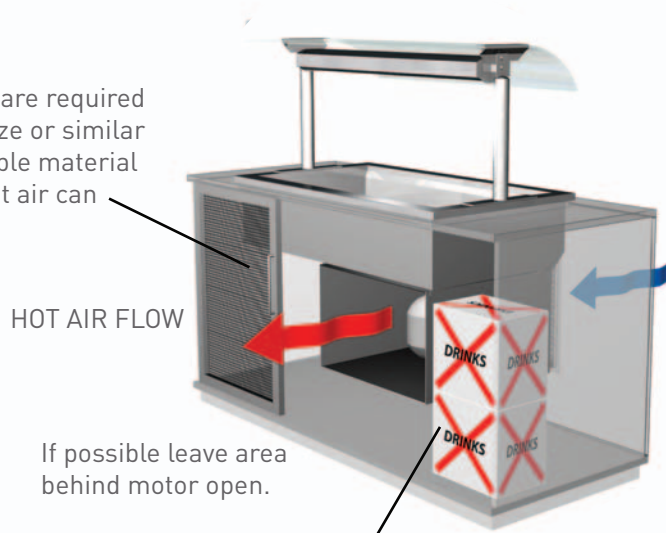
■ False front ventilation

■ Vent in standard joinery carcass

LSRF REFRIGERATED WELL

VENTILATION REQUIREMENTS LINEAR SERIES

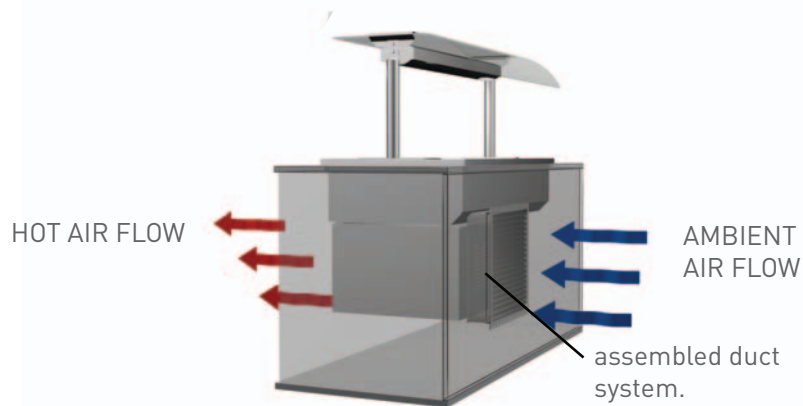
If doors are required use gauze or similar breathable material so as hot air can escape.



HOT AIR FLOW

If possible leave area behind motor open.

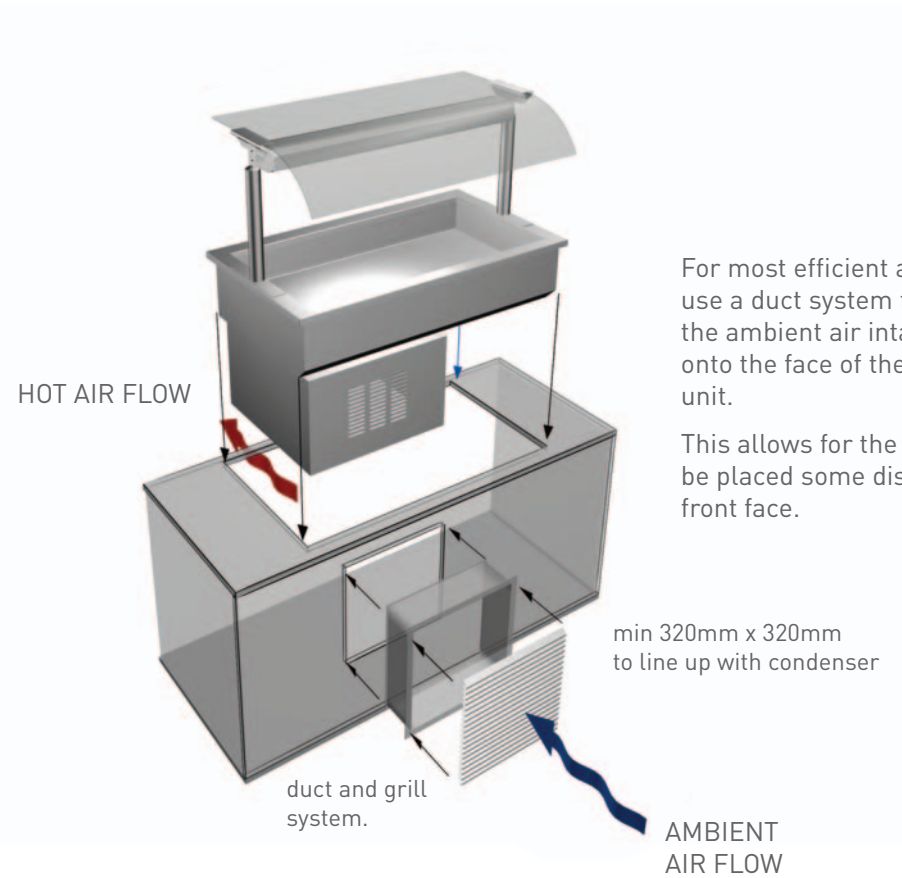
Do not stack boxes, crates etc to sides or rear of motor.



HOT AIR FLOW

AMBIENT AIR FLOW

assembled duct system.



HOT AIR FLOW

For most efficient air flow use a duct system to direct the ambient air intake directly onto the face of the condenser unit.

This allows for the condenser to be placed some distance from the front face.

min 320mm x 320mm to line up with condenser

duct and grill system.

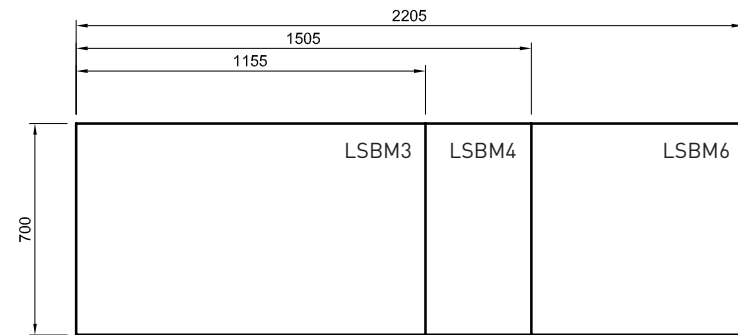
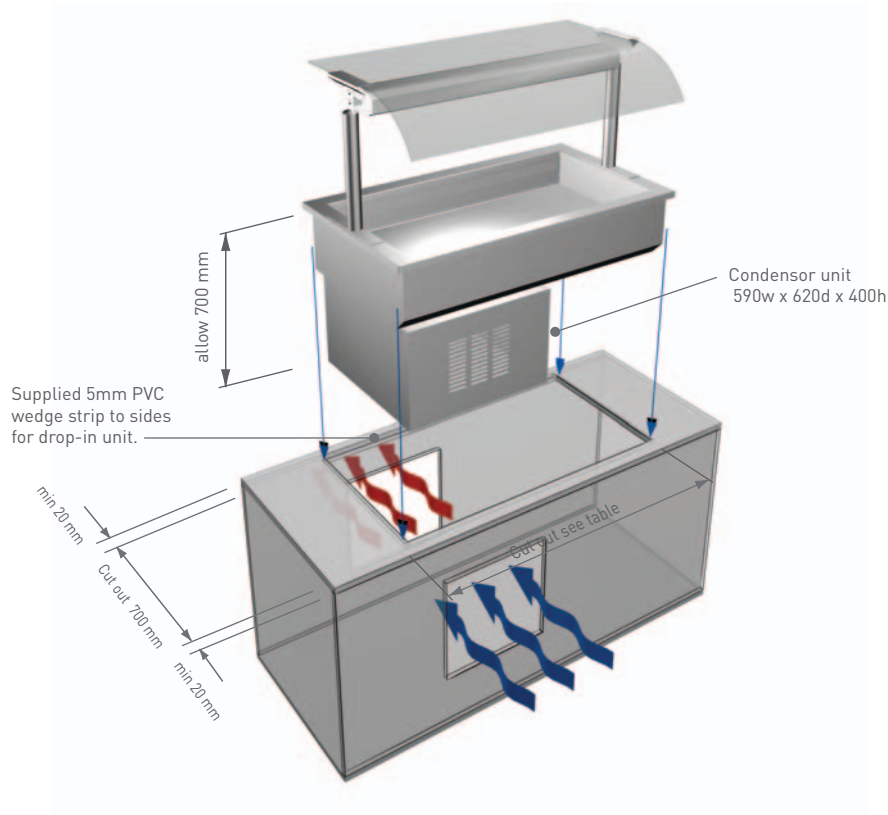
AMBIENT AIR FLOW

* Ducted ventilation system built and supplied by customer. Cossiga do not supply any ducting or ventilation grills.

 Ducted ventilation system for drop in unit

LSRF REFRIGERATED WELL

UNIT REQUIREMENTS LINEAR SERIES



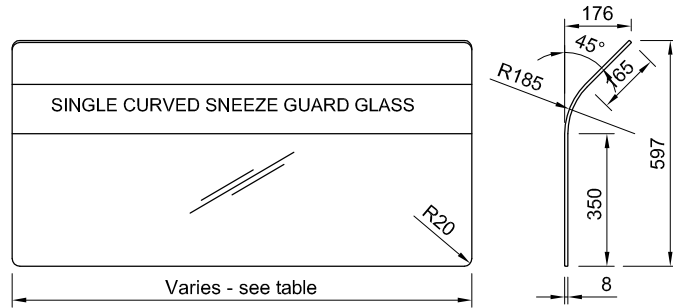
Linear LSRF Drop In Cut Outs

Linear LSRF Cut Out Sizes

LS RF/BM

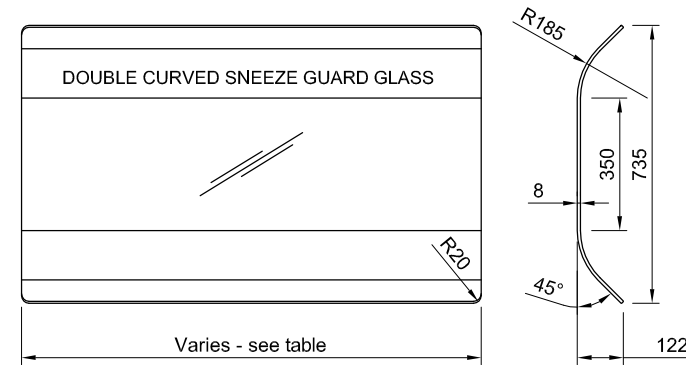
LINEAR WELLS

LINEAR SERIES GLASS TYPES



Glass Length Table- Single		
Model	Length mm	Part #
LS RF/BM 3	1155	S21-164
LS RF/BM 4	1505	S21-165
LS RF/BM 6	2205	S21-166

Single Curved

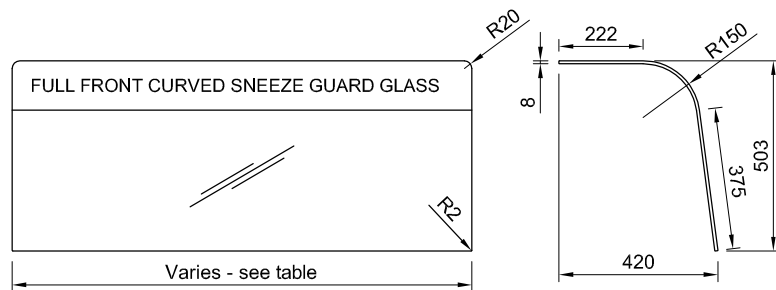


Glass Length Table- Double		
Model	Length mm	Part #
LS RF/BM 3	1155	S21-167
LS RF/BM 4	1505	S21-168
LS RF/BM 6	2205	S21-169

Double Curved

Glass Specifications

- All three glass types suitable for both Chilled and Bain marie units.
- 8mm Glass Full Polished All edges.
- Meets Australian & New Zealand Sneeze Guard Standards.



Glass Length Table- Single		
Model	Length mm	Part #
LS RF/BM 3	1155	S21-161
LS RF/BM 4	1505	S21-162
LS RF/BM 6	2205	S21-163

Full Front