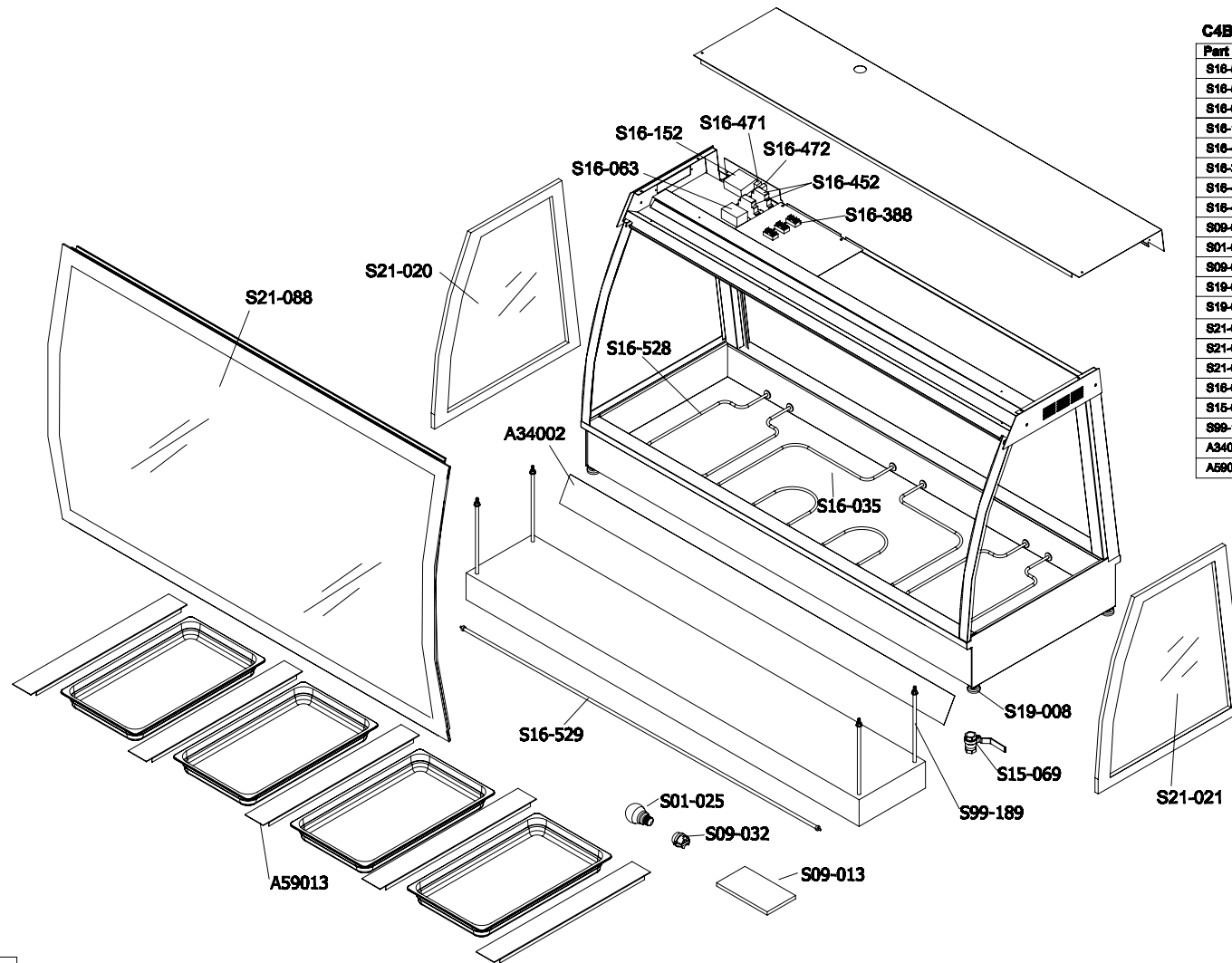


# F90-818



## C4BM15 Part List

Part No	Name	Qty
S16-528	HEATER	2
S16-529	HEATER	1
S16-035	HEATER	1
S16-152	THERMOSTAT	1
S16-452	CIRCUIT BREAKER	2
S16-388	TERMINAL BLOCK	3
S16-471	POWER SUPPLY BUTTON	1
S16-472	LAMP BOTTON	1
S09-013	GLASS PINK	4
S01-025	LAMP	4
S09-032	LAMP HOLDER	4
S19-008	RUBBER FOOTING	4
S19-027	LEG., TUBULAR	4
S21-020	SIDE GLASS, LEFT	1
S21-021	SIDE GLASS, RIGHT	1
S21-088	FRONT GLASS	1
S16-063	BREAKER	1
S15-069	BRASS VALVE	1
S99-189	SUSPENDER	4
A34002	TOP BRANDING PANEL	1
A59013	DIVIDER BAR	5